

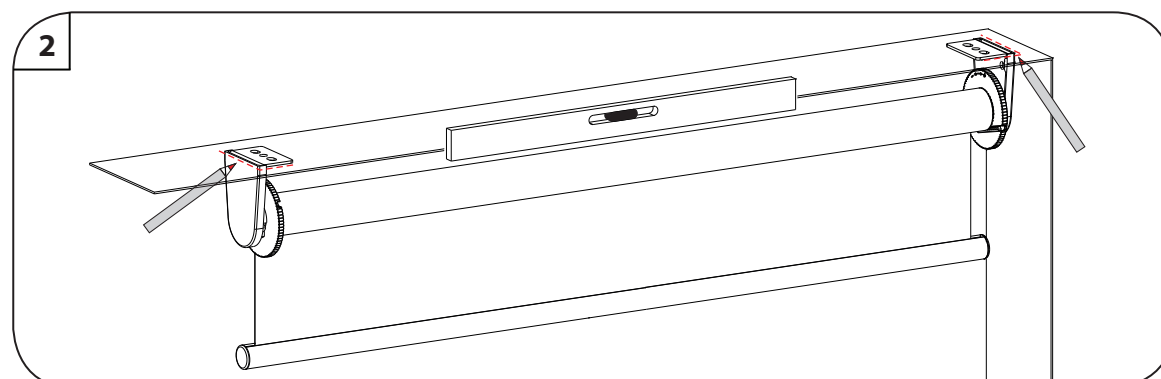
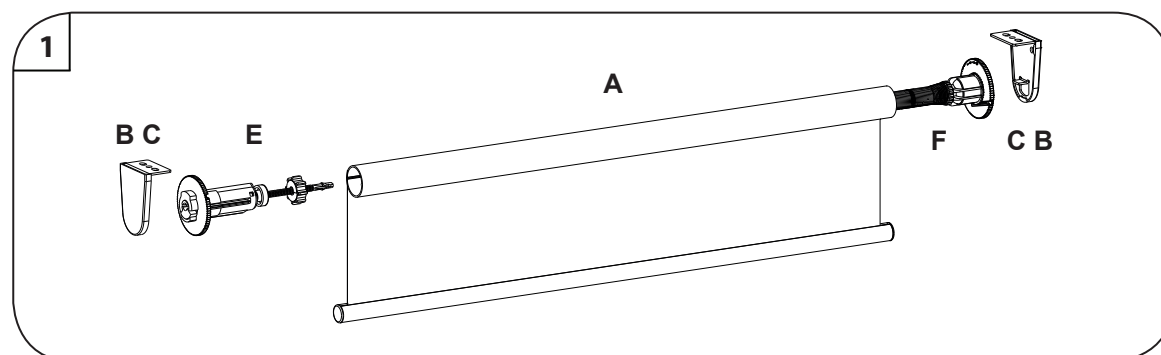
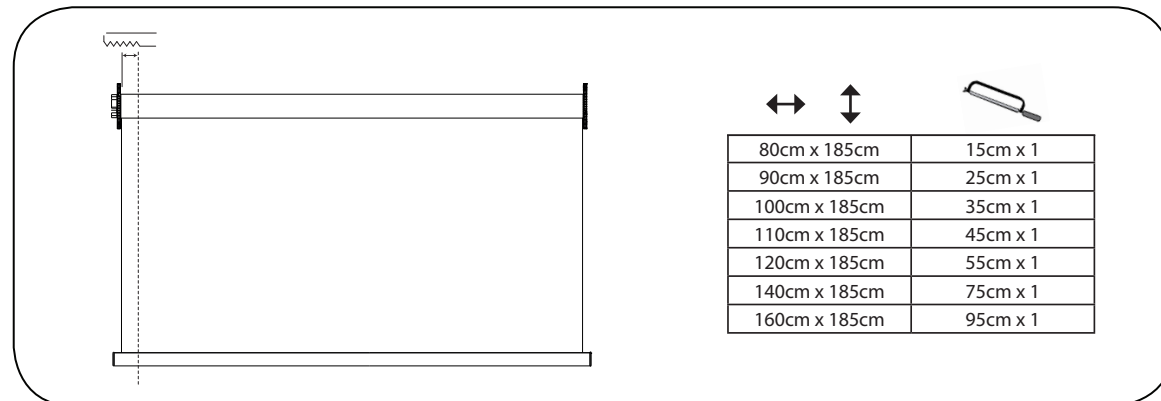
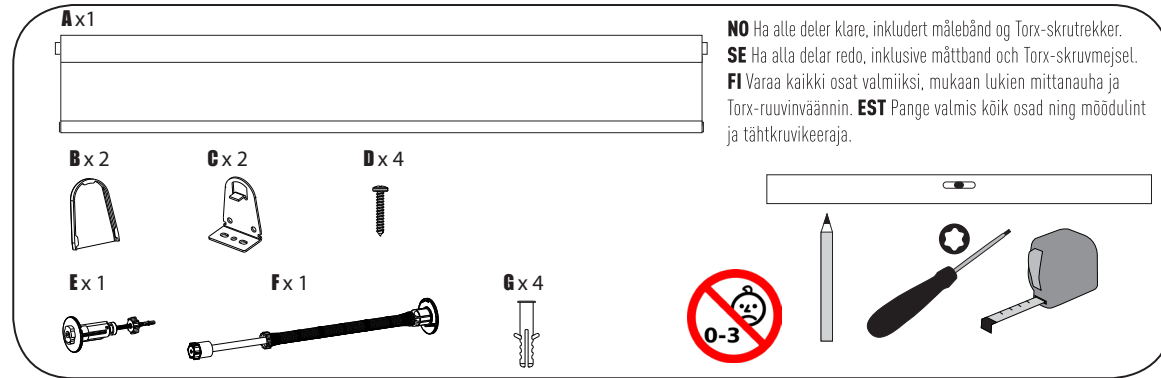
Tuva / Filippa cordless roller blind

INSTALLATION INSTRUCTIONS

Made in China for Kid Interior, Gilhusveien 1, N-3426
Gullaug, and Hemtex, Prognosgatan 22, SE-504 64 Borås.
www.kidhemtex.com/contacts.

Regulation of speed / regulering av hastigheten / reglering
av hastigheten / nopeuden säätö / kiiruse reguleerimine

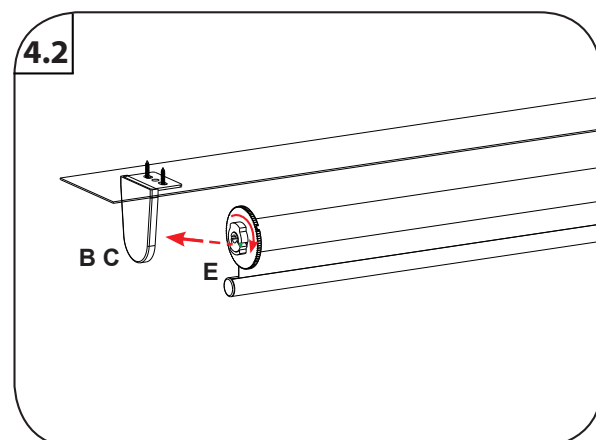
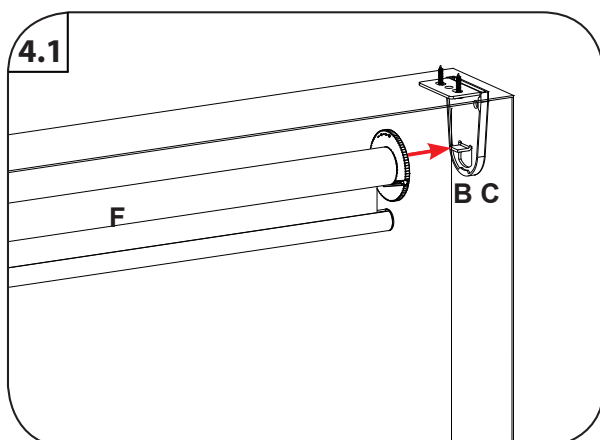
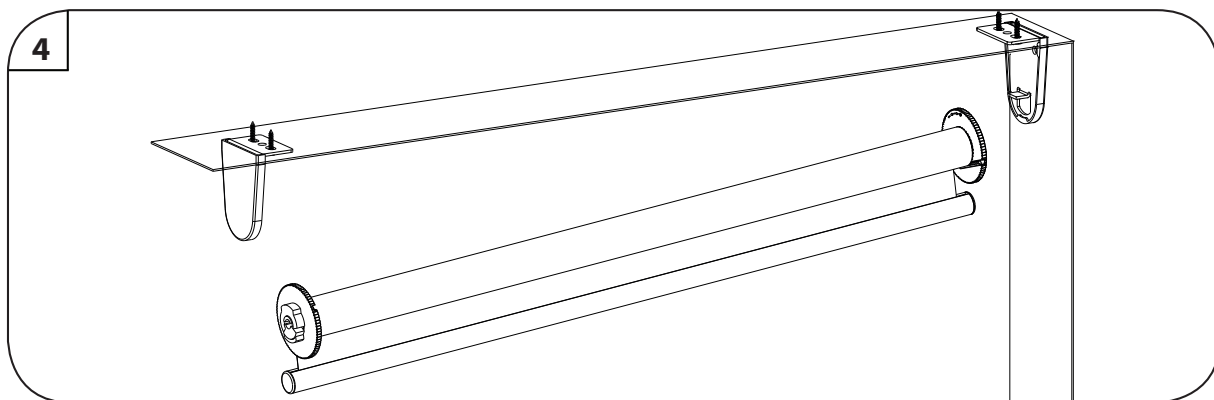
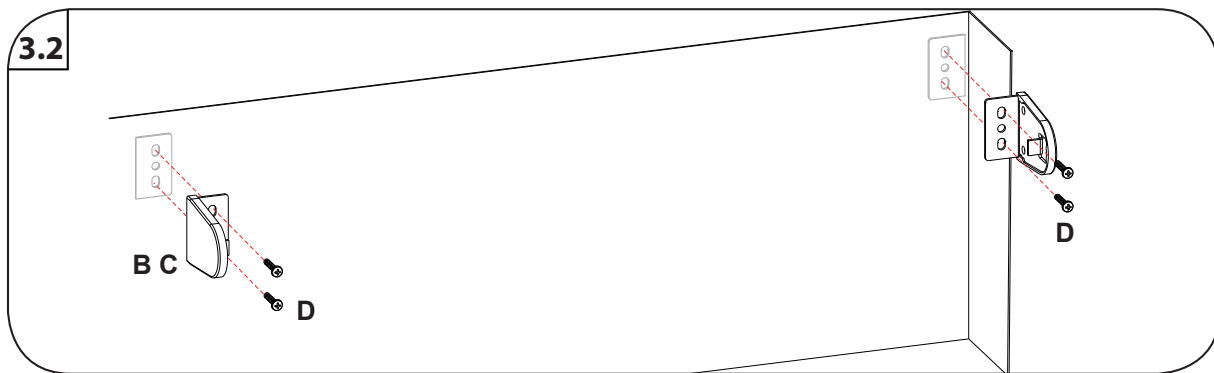
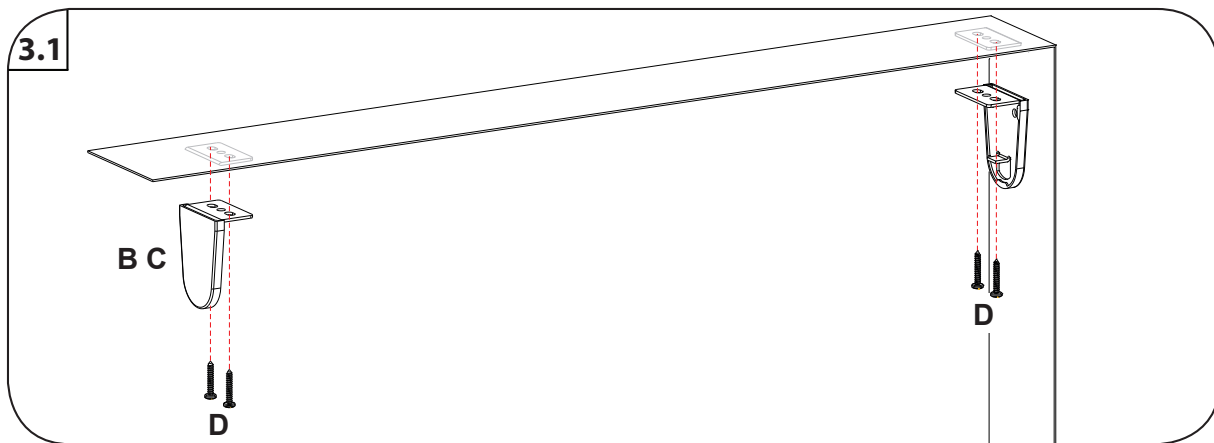
Have all the parts to hand, including
a measuring tape and Torx screwdriver.



Tuva / Filippa cordless roller blind

INSTALLATION INSTRUCTIONS

Made in China for Kid Interior, Gilhusveien 1, N-3426
Gullaug, and Hemtex, Prognosgatan 22, SE-504 64 Borås.
www.kidhemtex.com/contacts.

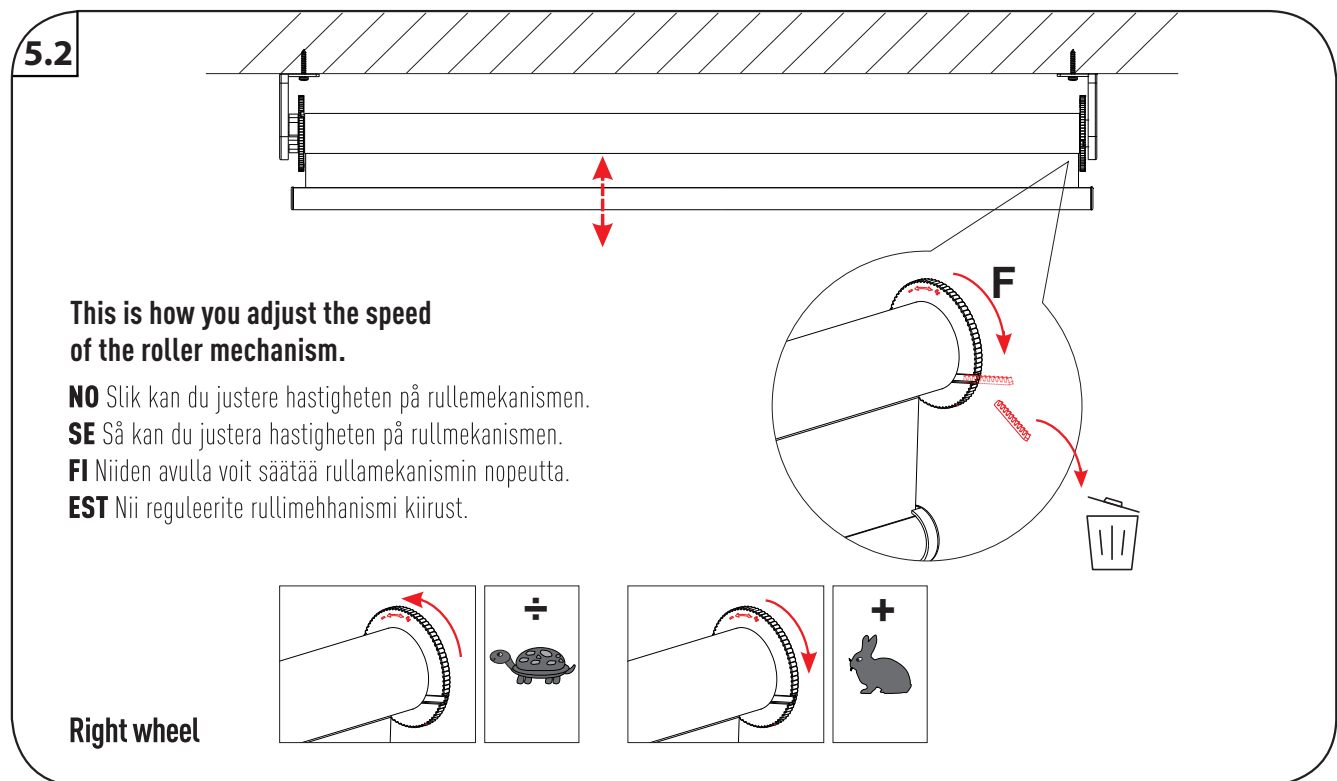
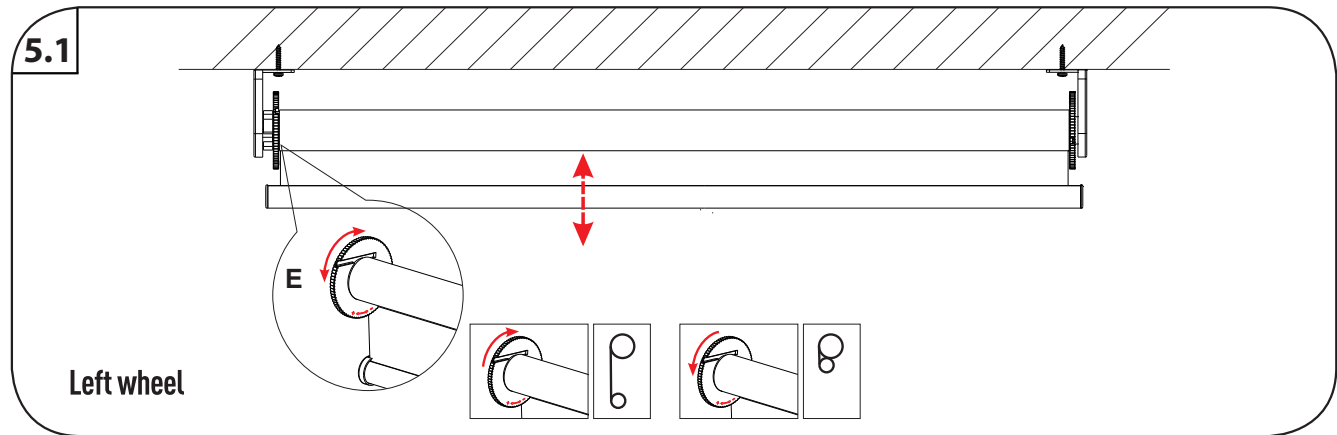


Tuva / Filippa cordless roller blind

INSTALLATION INSTRUCTIONS

Made in China for Kid Interior, Gilhusveien 1, N-3426
Gullaug, and Hemtex, Prognosgatan 22, SE-504 64 Borås.
www.kidhemtex.com/contacts.

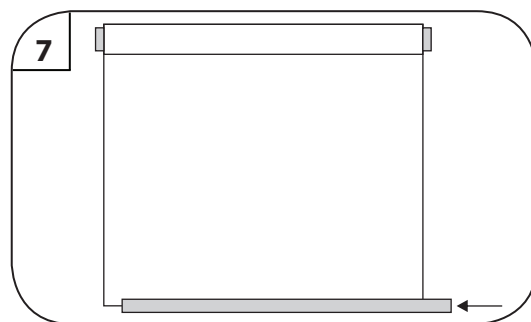
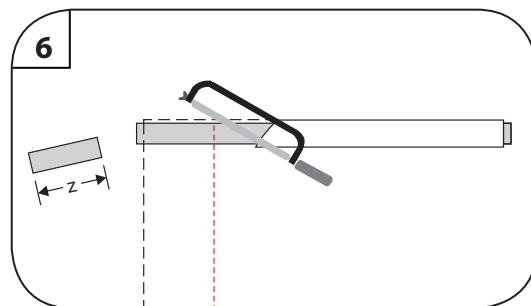
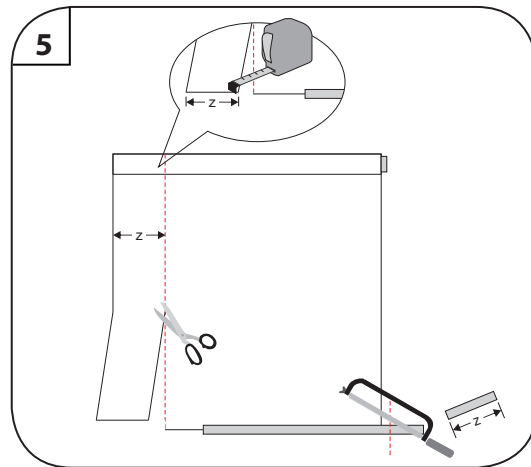
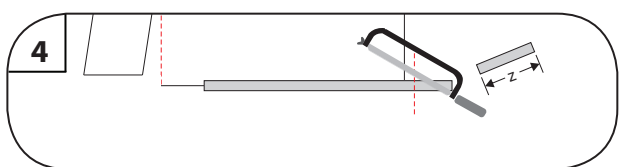
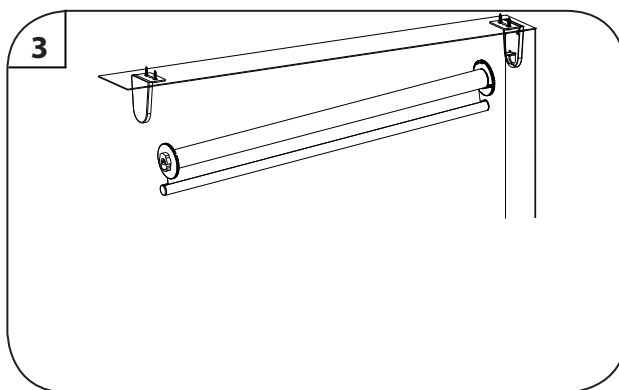
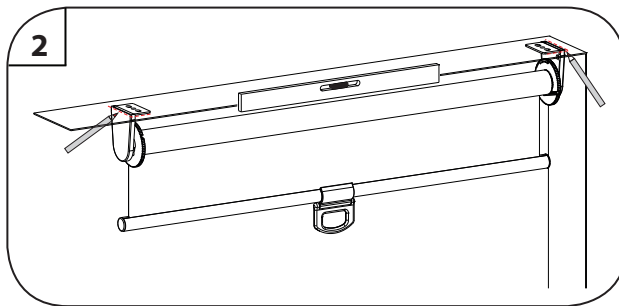
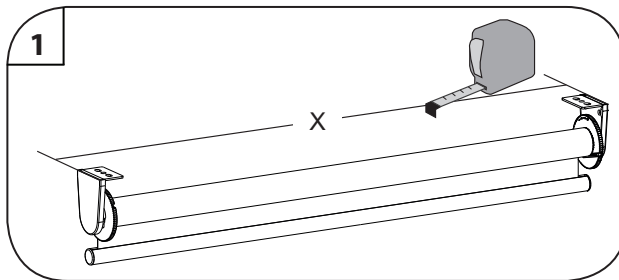
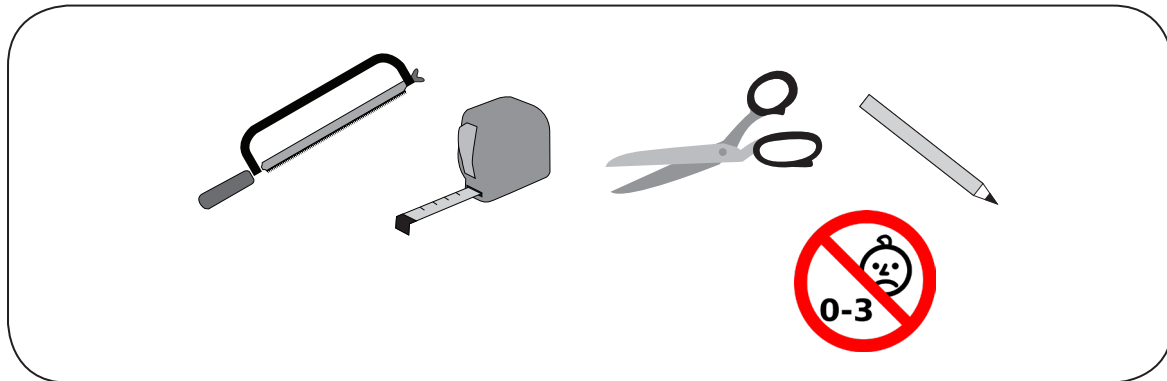
Shall the roller blind roll up fully, or have a «tongue»?



Tuva / Filippa cordless roller blind

INSTALLATION INSTRUCTIONS

Made in China for Kid Interior, Gilhusveien 1, N-3426
Gullaug, and Hemtex, Prognosgatan 22, SE-504 64 Borås.
www.kidhemtex.com/contacts.



Tuva / Filippa cordless roller blind

INSTALLATION INSTRUCTIONS

Made in China for Kid Interior, Gilhusveien 1, N-3426
Gullaug, and Hemtex, Prognosgatan 22, SE-504 64 Borås.
www.kidhemtex.com/contacts.

